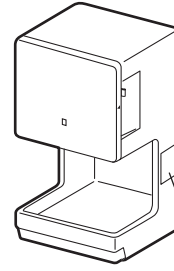


Jet Towel Hand dryer

MODEL

JT-MC206GS-W-E

Unit color -W (White)



Location of Model Name display
Location of power supply voltage display

Single-phase 220 – 240V AC

INSTRUCTION MANUAL

For User

- Read the manual thoroughly before using the unit to ensure it is used safely and correctly.
After reading the manual, store it in an easily accessible location for future reference.

**You should not attempt to install the unit yourself,
as this may affect the safety and functionality of the unit.**

This unit is intended for the purpose of drying hands and is not covered by a warranty if used for any other purpose. It has no sterilizing or disinfecting functions.

INDEX

Safety Precautions	2
Names of Parts	3
How to use the unit	4
■ How to open/close the front cover	4
Precautions for when opening/closing the front cover	4
■ Turning the power on	5
■ If not using for a long period	5
■ How to use the unit	5
■ Turning the heater on	6
■ Adjusting the air speed	6
Maintenance	7
Precautions for when opening/closing the front cover	7
① Turning the power off before maintenance	8
② Cleaning the unit exterior and hand drying area	8
③ Cleaning the air filter	9
④ Cleaning the drain tank	10
Trouble shooting	11
Specifications	12

(Safety Precautions)

The dangers arising from improper handling and the extents of the dangers are classified and explained as shown below.

Warning		The following may lead to death or serious personal injury if handled incorrectly.	
 Prohibited	<ul style="list-style-type: none"> ● Do not install in locations where they may be leakages of combustible gas. This may cause fires. ● Do not use at locations where salt damage may occur or where corrosive, neutral or reductive gases are present. The above may cause fire, electric shocks or malfunctions. 	 Do not disassemble	<ul style="list-style-type: none"> ● Do not modify or disassemble the unit. Doing so may result in fires, electric shocks or injuries. ● When changing the installation place, consult your dealer or installer. There is a risk of injury.
 Do not use in the baths/ shower room.	<ul style="list-style-type: none"> ● Do not use in a shower room or other locations with a great deal of humidity in the air or where condensation may form on the unit. This may cause electric shocks or malfunctions. 	 Important ! Follow instructions.	<ul style="list-style-type: none"> ● Use single- phase 220 – 240V AC power. Using the incorrect power supply may cause fires, electric shocks or malfunctions. ● Use exclusive wiring for the power source. Using this unit with other devices on a branch socket may cause abnormal heat, which may cause fires. ● Always turn off the power switch during maintenance work. Failure to do so may result in an electric shock. ● This unit is not intended for use by young children or infirm persons unless they are adequately supervised by a responsible person to ensure that they can use the unit safely.
 Do not allow the unit to get wet.	<ul style="list-style-type: none"> ● Do not allow water to get on the unit. This may cause electric shocks or malfunctions. 		<ul style="list-style-type: none"> ● Use single- phase 220 – 240V AC power. Using the incorrect power supply may cause fires, electric shocks or malfunctions. ● Use exclusive wiring for the power source. Using this unit with other devices on a branch socket may cause abnormal heat, which may cause fires. ● Always turn off the power switch during maintenance work. Failure to do so may result in an electric shock. ● This unit is not intended for use by young children or infirm persons unless they are adequately supervised by a responsible person to ensure that they can use the unit safely.

Caution		The following may lead to minor injuries or damage to property if the unit is handled incorrectly.	
 Prohibited	<ul style="list-style-type: none"> ● Do not let children hang from the unit. Young children should be supervised to ensure that they do not play with the unit. ● Do not use for purposes other than drying hands. Inappropriate use may cause an accident. ● Do not open the front cover too far. The front cover may come off, fall and cause injury or damage. ※ The front cover is designed to come off in order to prevent damage if it is opened at a 90° angle or more. (refer to Page 4) 	 Important ! Follow instructions.	<ul style="list-style-type: none"> ● Wear gloves during maintenance work. Not doing so may result in injuries. ● Always use the unit with the drain tank, air filter and front cover attached. Any water entering the unit may cause short circuits, electric shocks or damage. ● If the unit stops working or if a malfunction occurs, turn off the power switch and ground fault circuit interrupter to prevent an accident before contacting your dealer for an inspection and repairs. Failure to do any of the above may result in electric shocks or short circuits or fires due to short circuiting.

NOTE

● **Do not use in the following locations.**

- **Outdoors** • **Locations where the temperature could be lower than 0°C.** • **Locations where there is a lot of dust.**
- **Locations where the temperature could be higher than 40°C.** • **Locations where there is a lot of condensation.**
- **Locations where salt damage may occur.** • **In vehicles (including ships and airplanes)** • **Near food or tableware**
- **Locations where the unit is in direct or strong sunlight (may cause the sensor to malfunction).**
- **Kitchens (Where there is a risk of water splashing.)**
- **Locations where the unit may come into direct contact with water.**
- **Rooms that have a sterilization basin, swimming pools baths.**
- **Locations where corrosive, neutral, or reductive gasses are present.** (This may shorten the working life of the unit and/or cause malfunctions.)

● **Do not use with chemicals on your hands.**

(This may damage the surface of the unit or cause discoloration or cracking.)

● **Please thoroughly wipe off any detergents or chemicals that may be on the unit. Do not use any detergents other than those that have been prescribed.**

(Failure to do so may damage the surface of the unit, or cause discoloration or cracking.)

Please refer to "Maintenance" (Page 7) for details on detergents.

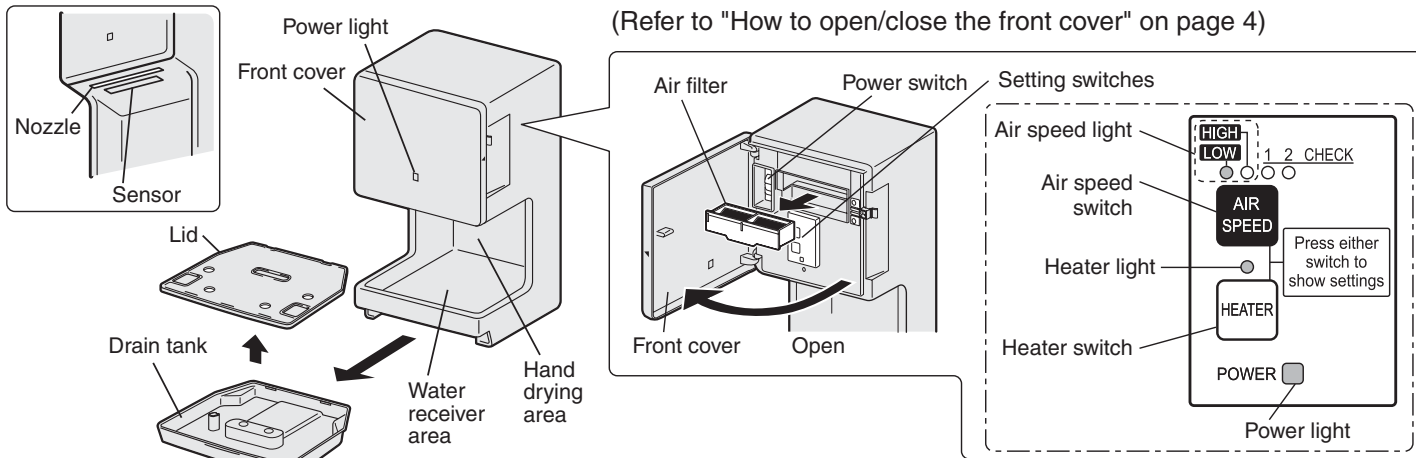
● **If water enters the unit, do not let the air filter or intake area come in close contact with water as this may cause the machine to malfunction or cause the acoustic materials to absorb water and allow bacteria to grow.**

(Names of Parts)

※ Shaded areas in the figure indicate antibacterial material (excluding outlet nozzle areas).

Inside the front cover

(Refer to "How to open/close the front cover" on page 4)



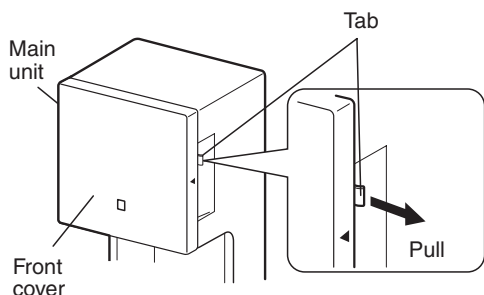
- Please refer to "Turning the heater on" (Page 6) while turning the heater on/off.
- Please refer to "Adjusting the air speed" (Page 6) while adjusting the air speed.

How to use the unit

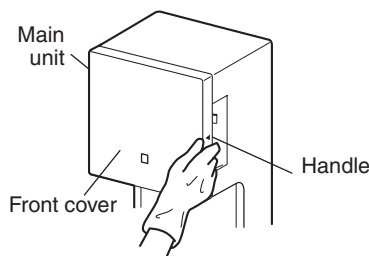
How to open/close the front cover

How to open the front cover

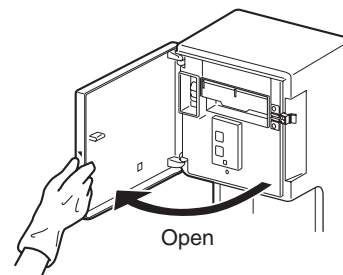
1 Pull the tab for opening the front cover.



2 Hold the handle are on the right hand side of the main unit.



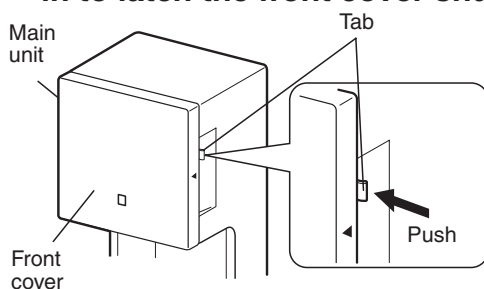
3 Open.



How to close the front cover

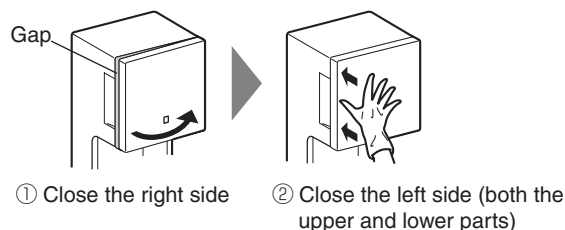
Close the front cover with the procedures for opening it in reverse.

Close the front cover so that there is no gap between the front cover and the main unit and push the tab in to latch the front cover shut.



NOTE

- Check to see that the front cover is fitted securely. Press the front cover on the upper and lower parts against the main unit so that it is securely closed.



Precautions for when opening/closing the front cover

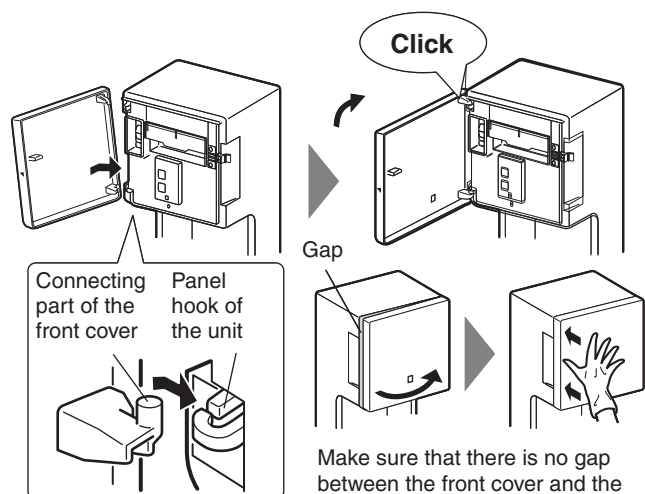
If the front cover comes off, please reattach it with the following procedures.

※ It is designed to come off in order to prevent damage if it is opened too far.

1 Press the bottom connecting part of the removed front cover into the bottom panel hook of the unit.

2 Press the top connecting part of the front cover into the top panel hook of the unit.

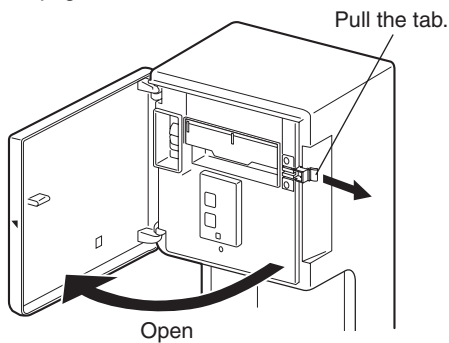
3 Check that the front cover is fitted securely.



Turning the power on

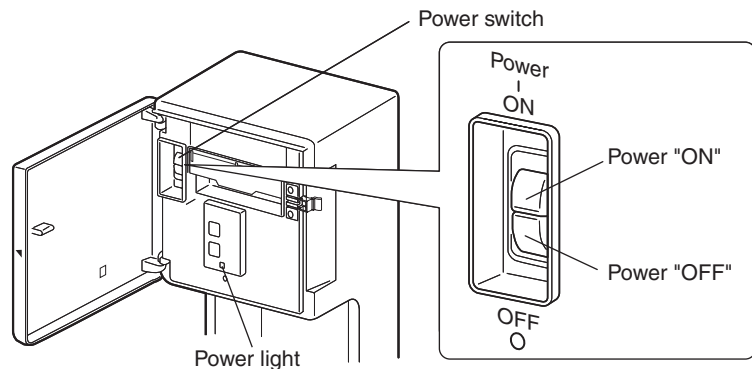
1 Open the front cover.

- Refer to "How to open/close the front cover" on page 4.



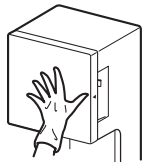
2 Turn the power switch "ON".

- The power light (blue) turns on.



3 Close the front cover.

- Refer to "How to open/close the front cover" on page 4.

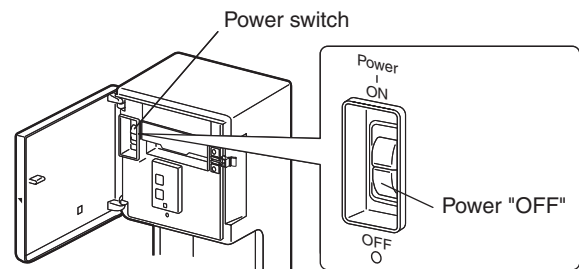


Caution

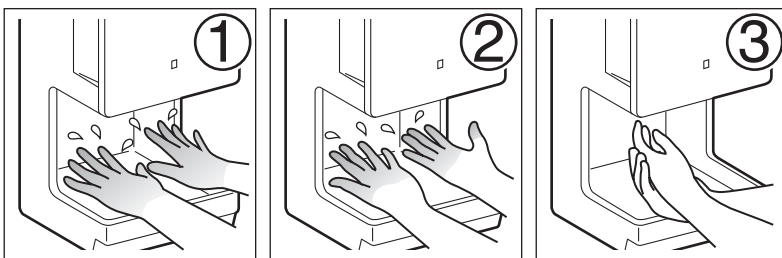
- **Do not turn the power on when your hands or an object are inside the hand drying area.**
The sensitivity of the sensor may be reduced if the power is turned on while your hands or objects are inside the hand drying area. If the sensitivity of the sensor is reduced, please turn the power off and then back on after one minute.

If not using for a long period

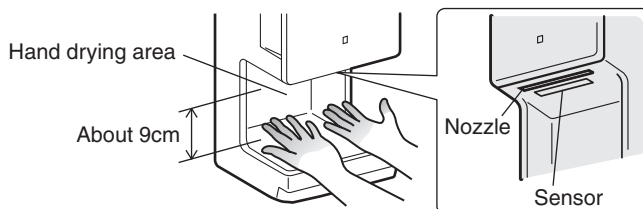
Turn the power switch "OFF".



How to use the unit



Hand detection area



- Please use within the area above.
※ The hand detection area may differ depending on the environment.

Rub your hands together after the water is blown off.

- The dryer starts automatically when your hands enter the hand drying area.
※ Refer to "Hand detection area"

Caution

- **Do not use with disinfectants such as alcohol or chemicals on your hands.**
(This may damage the unit.)

Automatic Stop Function

The power light flashes and the dryer stops automatically if the unit is used continually for more than 40 seconds. To continue using the hand dryer, remove your hands, and then re-insert them.

■ Turning the heater on

1 Open the front cover.

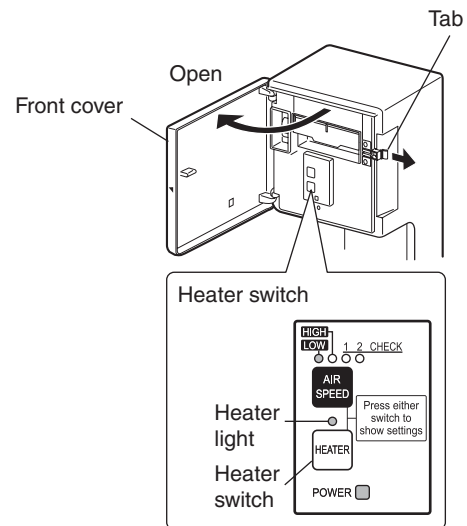
- Refer to "How to open/close the front cover" on page 4.

2 Press the air speed switch or the heater switch and let the settings light turn on.

3 Turn the heater switch "ON".

※ The heater may not operate during continued use as there is the danger of scalding when the temperature of the warm air rises.

The air may not feel warm when the room temperature is low (20°C or below).



Checking the settings

The heater light and air speed light turn off after about 10 seconds after their settings are made (to save energy). To check the settings, press either the heater or air speed switch.

Heater

It alleviates the sensation of cold air.

■ Adjusting the air speed

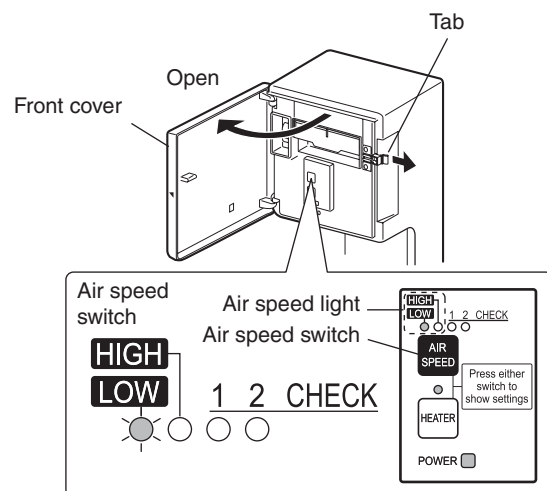
1 Open the front cover.

- Refer to "How to open/close the front cover" on page 4.

2 Press the air speed switch or the heater switch and let the settings light turn on.

3 Press the air speed switch.

- The modes change between "Low" and "High", and the air speed light turns on each time the air speed switch is pressed.
- Refer to "Settings and drying times guide" on page 12.



Checking the settings

The heater light and air speed light turn off after about 10 seconds after their settings are made (to save energy). To check the settings, press either the heater or air speed switch.

Maintenance

Warning

- **Always turn off the power switch during maintenance work.**
Failure to do so may result in an electric shock.
- **Do not allow water to get on the unit.**
This may cause electric shocks or malfunctions.

Caution

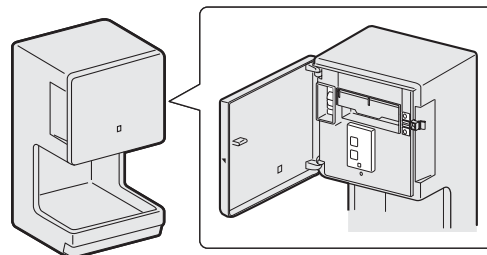
- **Wear gloves during maintenance work.**
Not doing so may result in injuries.

Caution

- **The unit exterior can be cleaned with alcohol, but be sure to wipe off any alcohol that remains after cleaning.**
(Failure to do so may damage the surface of the unit, or cause discoloration or cracking.)
※ "Alcohol" means a disinfectant with an ethanol content of 83% or less.
After wiping the unit clean with alcohol, be sure to dispose of any alcohol that has collected in the drain tank.
※ Do not spray alcohol directly onto the unit.
- **Do not use any of the following cleaning materials**
 - Solvents such as thinner or benzene
 - Acid, alkaline or chlorine detergents
 - Mold and mildew removers
 - Citrus-based or other plant-based detergents
 - Antiseptics.**Please also refrain from using nylon scourers or abrasives.**
(They may damage the surface of the unit or cause discoloration or cracking.)
- **Disinfectants cause damage to the unit.**
- **Do not turn the power on when your hands or an object are inside the hand drying area after maintenance.**
The sensitivity of the sensor may be reduced if the power is turned on while your hands or objects are inside the hand drying area.
If the sensitivity of the sensor is reduced, please turn the power off and then back on after one minute.

NOTE

- **When cleaning the unit, use a neutral detergent. (pH: 6 – 8)**
(Please do not use plant-based detergents as they may cause damage to plastic parts.)
- **When using a chemical cloth, be sure to follow the instructions carefully.**
- **Factors such as rust may shorten the working life of the unit.**
(Damage to the unit caused by the use of prohibited agents such as solvents, detergents, and abrasives (also damage due to factors such as rust) is not covered by the warranty.)
- **The area that has undergone antibacterial processing (the shaded area in the right figure) produces antibacterial effects when bacteria adhere to the surface.**
(The antibacterial effects are not produced when the surface is unclean.)

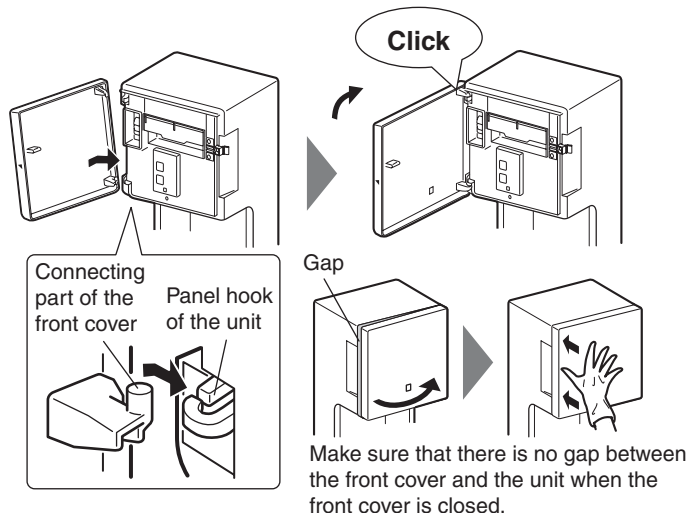


Precautions for when opening/closing the front cover

If the front cover comes off, please reattach it with the following procedures.

※ It is designed to come off in order to prevent damage if it is opened too far.

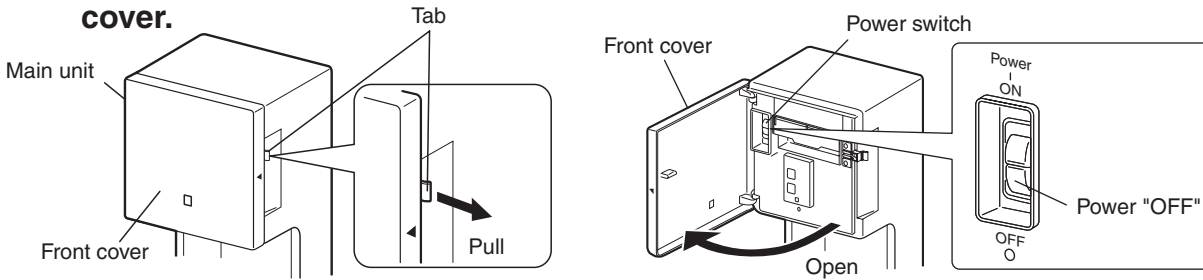
- 1 Press the bottom connecting part of the removed front cover into the bottom panel hook of the unit.**
- 2 Press the top connecting part of the front cover into the top panel hook of the unit.**
- 3 Check that the front cover is fitted securely.**



Maintenance - Continuation

1 Turning the power off before maintenance

- 1 Pull the tab and open the front cover.
- 2 Open the front cover and turn the power switch "OFF".



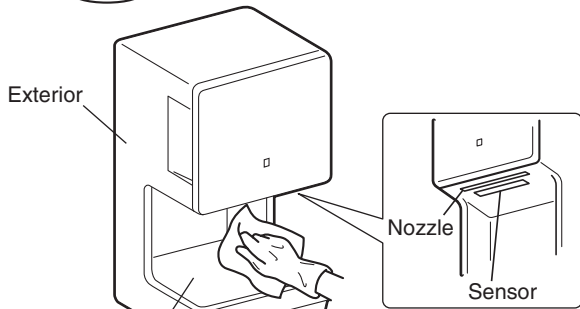
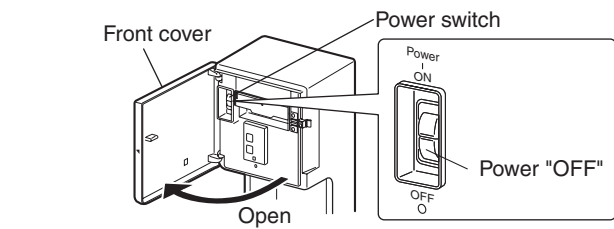
2 Cleaning the unit exterior and hand drying area

- 1 Pull the tab, open the front cover and turn the power switch "OFF".

- Refer to "How to open/close the front cover" on page 4.

- 2 Wipe the unit exterior, the inside of the front cover, and the hand drying area with a tightly wrung out piece of cloth.

- When it is unclean, wipe it with a piece of cloth that has been soaked in neutral detergent and tightly wrung out, thoroughly remove the remaining neutral detergent and wipe it with a dry piece of cloth.
- Please be sure to wipe with a piece of cloth that has been wrung out tightly as water may enter the unit and cause damage if it is wiped with a very wet piece of cloth.
- Clean the sensor area.
 - ※ The sensor may lose its sensitivity and malfunction if the transparent surface inside the hand drying area is covered with a white-colored substance. Please clean it once a week.

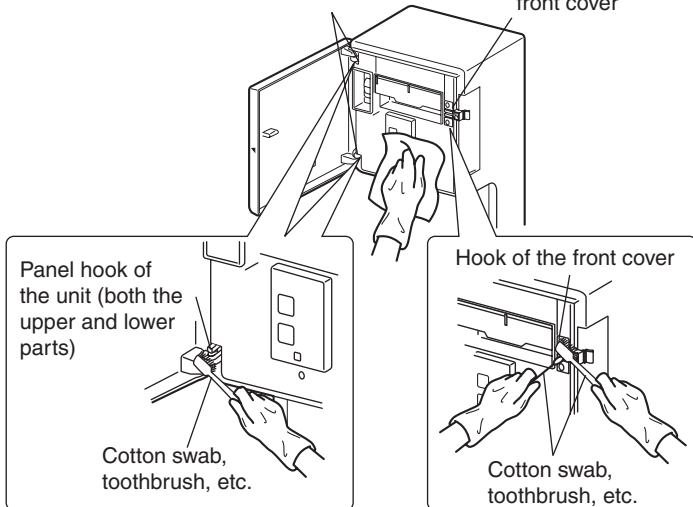


Panel hook of the unit Hook of the front cover

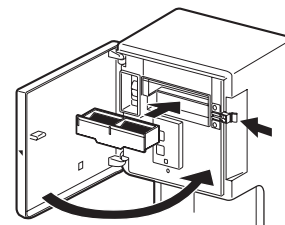
- 3 Clean the dust off of the hook of the front cover with a commercially available toothbrush or cotton swab

NOTE

- The front cover is designed to come off in order to prevent damage if it is opened too far. If it comes off, please reattach it while referring to "Precautions for when opening/closing the front cover" (Page 4).



- 4 Turn the power switch "ON" and close the front cover so that there is no gap and push the tab.



Caution

- Water may enter the unit and cause short circuits, electric shocks or damage if the front cover has been forgotten to be closed.

Maintenance - Continuation

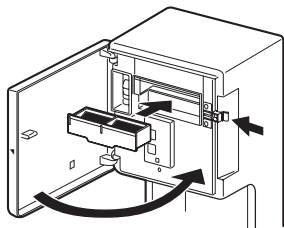
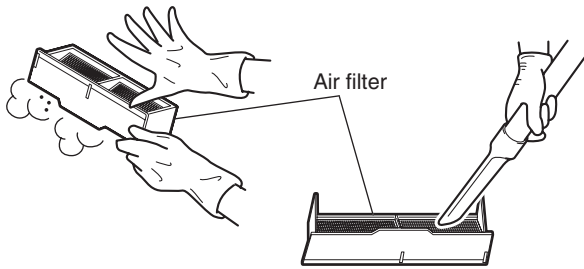
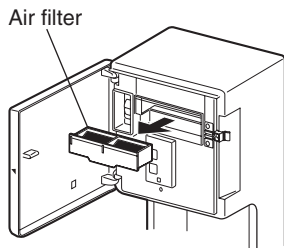
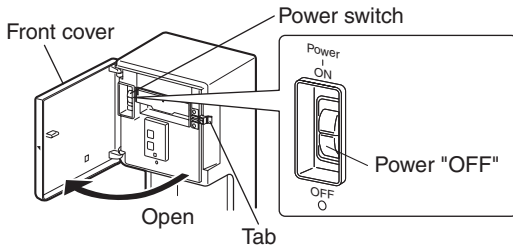
3

Cleaning the air filter

Around once a week

Caution

- If the air filter is not cleaned, the working life of the motor and heater may be shortened, the drying performance may be decreased due to insufficient air volume and air speed and bacteria can grow in the filter area due to dust deposits.



Caution

- Water may enter the unit and cause short circuits, electric shocks or damage if the front cover has been forgotten to be closed.

1 Pull the tab, open the front cover and turn the power switch "OFF".

2 Remove the air filter.

3 Clean the air filter.

- Tap it lightly or vacuum off the dust.
- Wipe with lukewarm or cold water if it is extremely unclean.

NOTE

- After washing the air filter with water, dry it thoroughly.

Caution

- Never dry the air filter with a heat source such as a fire or a dryer.

4 Reattach the air filter.

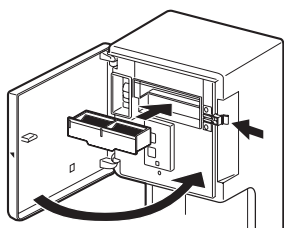
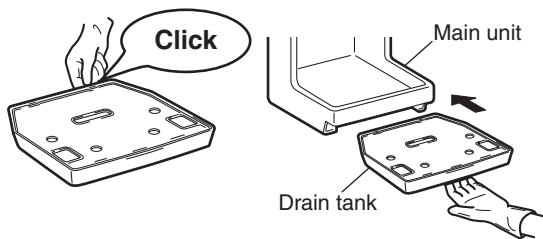
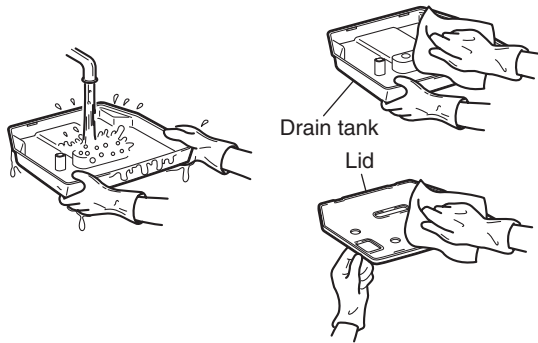
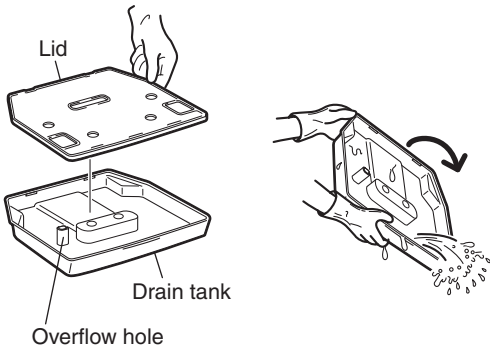
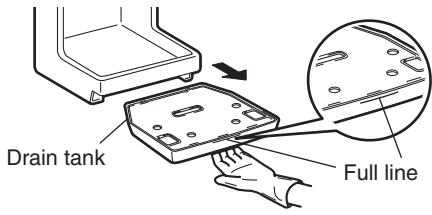
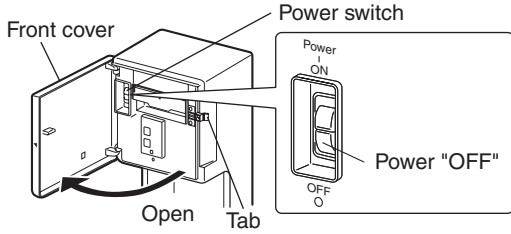
- Make sure that the air filter is fitted properly. (Dirt and dust may get into the unit and shorten its working life if the air filter is out of position.)

5 Turn the power switch "ON" and close the front cover so that there is no gap and push the tab.

Maintenance - Continuation

4 Cleaning the drain tank Before it fills up (at least once a week)

- Empty the drain water at least once a week before the drain water exceeds the full line.
- If the drain water is left inside, it can cause foul odors or the water can spill onto the floor and tarnish it.



1 Pull the tab, open the front cover and turn the power switch "OFF".

- Refer to "How to open/close the front cover" on page 4.

2 Remove the drain tank while keeping it upright.

- Keep it upright when carrying it so that the drain water does not spill.

Caution

- If it is used after the full line has been exceeded, please be careful of water spilling out of the overflow hole. (The full line is reached at 0.6L.)

3 Open the lid and empty out the drain water.

4 Wash the drain tank and lid, and wipe them thoroughly.

5 Put the lid back on the drain tank and reattach it to the main unit.

- Press the lid of the drain tank down using the tabs until they make clicking sounds, and make sure that it is fitted properly
- Push the drain tank all the way into to the main unit and make sure that it is fitted properly.

6 Turn the power switch "ON" and close the front cover so that there is no gap and push the tab.



Caution

- Water may enter the unit and cause short circuits, electric shocks or damage if the front cover has been forgotten to be closed.

(Trouble shooting)

Implement the inspections and procedures below in the following cases.

In such cases	Inspections	Procedures
No air blows even if hands are inserted.	Are any lights in the display on? Has a blackout occurred?	<ul style="list-style-type: none"> ● Turn the ground fault circuit interrupter on. ● Turn the power switch "ON".
	Are you putting your hands in all the way?	
	Was the power switch turned on while your hands or an object was inside the hand drying area? Is the sensor blocked by dirt or dust?	<ul style="list-style-type: none"> ● Remove any foreign substances or dirt after turning the power switch "OFF" and the power light goes out. Wait for at least 1 minute after turning the power switch "OFF", and then turn it back "ON" again.
Is the sensor in the hand drying area unclean?		
Air does not stop.	Is the sensor in the hand drying area unclean?	
Stops operating during hand drying.	Has the dryer been used continually for more than 40 seconds? Are any lights flashing?	<ul style="list-style-type: none"> ● If the hand dryer is used continually for more than 40 seconds, the power light flashes and the dryer automatically stops. Remove your hands and then re-insert them.
The air is cold. Air does not warm up.	The heater switch is off.	<ul style="list-style-type: none"> ● Open the front cover and turn the heater switch "ON".
	Air conditioning is not working (room temperature is 20°C or below).	<ul style="list-style-type: none"> ● This unit has a built-in heater, but the air may not feel warm when the room temperature is low.
	Is the room temperature too high?	<ul style="list-style-type: none"> ● The heater may not operate if it is used continually.
The power light does not light up even when the power is switched on.	Was there a blackout? Is the ground fault circuit interrupter "OFF"?	<ul style="list-style-type: none"> ● Turn the ground fault circuit interrupter "ON" and then turn the power switch "ON".
The power light is flashing.	This may flash if there is a malfunction in the power supply.	<ul style="list-style-type: none"> ● Turn the power switch "OFF", check that all of the lights on the display section are off and then wait for 1 minute before switching the power back "ON".
	Has the dryer been used continually for more than 40 seconds? Are any lights flashing?	<ul style="list-style-type: none"> ● If the hand dryer is used continually for more than 40 seconds, the power light flashes and the dryer automatically stops. Remove your hands and then re-insert them.
The air speed light and heater light do not light up.	It turns off 10 seconds after the air speed switch or heater switch are controlled to save energy.	<ul style="list-style-type: none"> ● When the air speed switch or heater switch are pressed, the light turn back on in the state where the settings have been made.
The unit makes noise. The air is too strong.	The air speed can be adjusted.	<ul style="list-style-type: none"> ● Please refer to "Adjusting the air speed" (Page 6) while adjusting the air speed.
Turning the heater off.	The heater can be turned off.	<ul style="list-style-type: none"> ● Please refer to "Turning the heater on" (Page 6) while turning the heater off.
The front cover has come off.	Has the front cover been opened too far?	<ul style="list-style-type: none"> ● The front cover is designed to come off in order to prevent damage to the main unit if it is opened too far. Please reattach it while referring to "Precautions for when opening/closing the front cover" (Pages 4 and 7).
<p>If the above procedures do not work, turn off the power and the ground fault circuit interrupter and have your dealer inspect and if necessary, repair the unit. (Costs are as agreed with the dealer.)</p>		

(Specifications)

Model	Voltage	Frequency	Heater	Power Input (W)	Current (A)	Weight (kg)	Dimensions (W × D × H)
JT-MC206GS-W-E	Single-phase 220 – 240V AC	50-60Hz	ON	735 – 825	3.4 – 3.5	5	250 × 170 × 480 (mm)
			OFF	475 – 560	2.2 – 2.4		

• The above are the figures when the air speed is set at "High".

• The capacity of the drain tank is 0.6 L.

■ Settings and drying times guide

Settings	Drying times guide [※]	Noise	Use
High	(approx.) 13 – 15 seconds	(approx.) 64dB	When drying quickly
Low	(approx.) 24 – 27 seconds	(approx.) 54dB	When keeping the noise level down during operation

※ Drying times are based on Mitsubishi measurements. (50mg of water per hand)

Working life of the motor/heater

- The working life of the motor and heater is 7 years when used 120 times per day with the air speed set at "High". The working life may be shortened if the unit is used in a location where the power supply voltage is high or when the operation times per user are long.
- No air blows as the motor dies. (There may odors or noise when the motor dies, but this does not indicate a malfunction.)
The air becomes cold when the heater dies. Please contact the dealer for a replacement when the heater dies. (subject to fees)

MITSUBISHI ELECTRIC CORPORATION

Tokyo Building 2-7-3, Marunouchi, Chiyoda-ku, Tokyo 100-8310, Japan

Information on Disposal



Note: This symbol mark is for EU countries only.

This symbol mark is according to the directive 2002/96/EC Article 10 Information for users and Annex IV, and/or to the directive 2006/66/EC Article 20 Information for end-users and Annex II.

English

Your MITSUBISHI ELECTRIC product is designed and manufactured with high quality materials and components which can be recycled and/or reused.

This symbol means that electrical and electronic equipment, batteries and accumulators, at their end-of-life, should be disposed of separately from your household waste.

If a chemical symbol is printed beneath the symbol shown above, this chemical symbol means that the battery or accumulator contains a heavy metal at a certain concentration. This will be indicated as follows:

Hg: mercury (0,0005%), Cd: cadmium (0,002%),
Pb: lead (0,004%)

In the European Union there are separate collection systems for used electrical and electronic products, batteries and accumulators.

Please, dispose of this equipment, batteries and accumulators correctly at your local community waste collection/recycling centre.

Please, help us to conserve the environment we live in!

Deutsch

Ihr MITSUBISHI ELECTRIC-Produkt wurde unter Einsatz von qualitativ hochwertigen Materialien und Komponenten konstruiert und gefertigt, die für Recycling und/oder Wiederverwendung geeignet sind.

Dieses Symbol bedeutet, dass elektrische und elektronische Geräte sowie Batterien und Akkus am Ende ihrer Nutzungsdauer von Hausmüll getrennt zu entsorgen sind.

Wenn ein chemisches Symbol unterhalb des oben abgebildeten Symbols erscheint, bedeutet dies, dass die Batterie bzw. der Akku ein Schwermetall in einer bestimmten Konzentration enthält. Dies wird wie folgt angegeben:

Hg: Quecksilber (0,0005 %), Cd: Cadmium (0,002 %),
Pb: Blei (0,004 %)

In der Europäischen Union gibt es unterschiedliche Sammelsysteme für gebrauchte Elektrik- und Elektronikgeräte einerseits sowie Batterien und Akkus andererseits.

Bitte entsorgen Sie dieses Gerät, Batterien und Akkus vorschriftsmäßig bei Ihrer kommunalen Sammelstelle oder im örtlichen Recycling-Zentrum.

Bitte helfen Sie uns, die Umwelt zu erhalten, in der wir leben!

Italiano

Questo prodotto MITSUBISHI ELECTRIC è stato progettato e fabbricato con materiali e componenti di alta qualità, che possono essere riciclati e/o riutilizzati.

Questo simbolo significa che i prodotti elettrici ed elettronici, le batterie e gli accumulatori, devono essere smaltiti separatamente dai rifiuti casalinghi alla fine della loro vita di servizio.

Se sotto il simbolo mostrato sopra è stampato un simbolo chimico, il simbolo chimico significa che la batteria o l'accumulatore contiene un metallo pesante con una certa concentrazione. Ciò viene indicato come segue:

Hg: mercurio (0,0005%), Cd: cadmio (0,002%),
Pb: piombo (0,004%)

Nell'Unione Europea ci sono sistemi di raccolta differenziata per i prodotti elettrici ed elettronici, le batterie e gli accumulatori usati.

Per disfarsi di questo prodotto, delle batterie e degli accumulatori, portarli al centro locale di raccolta/riciclaggio dei rifiuti.

Aiutateci a conservare l'ambiente in cui viviamo!

Français

Votre produit Mitsubishi Electric est conçu et fabriqué avec des matériels et des composants de qualité supérieure qui peuvent être recyclés et/ou réutilisés.

Ce symbole signifie que les équipements électriques et électroniques, les batteries et les accumulateurs, à la fin de leur durée de service, doivent être éliminés séparément des ordures ménagères.

Si un symbole chimique est imprimé sous le symbole illustré ci-dessus, il signifie que la batterie ou l'accumulateur contient une certaine concentration de métal lourd. Elle sera indiquée comme suit : Hg : mercure (0,0005%), Cd : cadmium (0,002%),
Pb : plomb (0,004%)

Dans l'Union Européenne, il existe des systèmes sélectifs de collecte pour les produits électriques et électroniques, les batteries et les accumulateurs usagés.

Nous vous prions donc de confier cet équipement, ces batteries et ces accumulateurs à votre centre local de collecte/recyclage.

Aidez-nous à conserver l'environnement dans lequel nous vivons !

Les machines ou appareils électriques et électroniques contiennent souvent des matières qui, si elles sont traitées ou éliminées de manière inappropriée, peuvent s'avérer potentiellement dangereuses pour la santé humaine et pour l'environnement.

Cependant, ces matières sont nécessaires au bon fonctionnement de votre appareil ou de votre machine.

Pour cette raison, il vous est demandé de ne pas vous débarrasser de votre appareil ou machine usagé avec vos ordures ménagères.

Español

Su producto MITSUBISHI ELECTRIC está diseñado y fabricado con materiales y componentes de alta calidad que pueden ser reciclados y/o reutilizados.

Este símbolo significa que el aparato eléctrico y electrónico, las pilas, baterías y los acumuladores, al final de su ciclo de vida, se deben tirar separadamente del resto de sus residuos domésticos.

Si hay un símbolo químico impreso debajo del símbolo mostrado arriba, este símbolo químico significa que la pila, batería o el acumulador contienen un metal pesado con cierta concentración. Esto se indicará de la forma siguiente:

Hg: mercurio (0,0005%), Cd: cadmio (0,002%),
Pb: plomo (0,004%)

En la Unión Europea existen sistemas de recogida específicos para productos eléctricos y electrónicos, pilas, baterías y acumuladores usados.

Por favor, deposite los aparatos mencionados, las pilas, baterías y acumuladores en el centro de recogida/reciclado de residuos de su lugar de residencia local cuando quiera tirarlos.

¡Ayúdenos a conservar el medio ambiente!

Português

O seu produto MITSUBISHI ELECTRIC foi concebido e produzido com materiais e componentes de alta qualidade que podem ser reciclados e/ou reutilizados.

Este símbolo significa que o equipamento eléctrico e electrónico, as baterias e os acumuladores, no final da sua vida útil, devem ser deitados fora separadamente do lixo doméstico.

Se houver um símbolo químico impresso por baixo do símbolo mostrado acima, o símbolo químico indica que a bateria ou acumulador contém metais pesados numa determinada concentração. Isto aparecerá indicado da maneira seguinte:

Hg: mercúrio (0,0005%), Cd: cádmio (0,002%),
Pb: chumbo (0,004%)

Na União Europeia existem sistemas de recolha separados para produtos eléctricos e electrónicos, baterias e acumuladores usados.

Por favor, entregue este equipamento, as baterias e os acumuladores correctamente, no seu ponto local de recolha/reciclagem.

Por favor, ajude-nos a conservar o ambiente em que vivemos!



Svenska

Denna produkt från MITSUBISHI ELECTRIC är designad och tillverkad av material och komponenter med hög kvalitet som kan återvinnas och/eller återanvändas.

Denna symbol betyder att förbrukade elektriska och elektroniska produkter, batterier och ackumulatörer skall sorteras och hanteras separat från hushållsavfall.

Om det finns en kemisk beteckning tryckt under ovanstående symbol betyder det att batteriet eller ackumulatören innehåller en tungmetall med en viss koncentration. Detta anges på följande sätt:

Hg: kvicksilver (0,0005%), Cd: kadmium (0,002%),
Pb: bly (0,004%)

Inom den Europeiska Unionen finns det separata insamlingsssystem för begagnade elektriska och elektroniska produkter, batterier och ackumulatörer.

Var vänlig lämna denna produkt, batterier och ackumulatörer hos din lokala mottagningsstation för avfall och återvinning.

Var snäll och hjälp oss att bevara miljön vi lever i!

Dansk

Dit produkt fra MITSUBISHI ELECTRIC er designet og fremstillet med kvalitetsmaterialer og komponenter, der kan genindvindes og/eller genbruges.

Dette symbol viser, at elektrisk eller elektronisk udstyr, batterier og akkumulatører ikke må bortskaffes sammen med almindeligt husholdningsaffald efter endt levetid.

Hvis der er trykt et kemisk symbol under symbolet ovenfor, betyder det, at batteriet eller akkumulatøren indeholder en bestemt koncentration af et tungmetal. Dette angives som følger:

Hg: kviksølv (0,0005 %), Cd: cadmium (0,002 %),
Pb: bly (0,004 %)

I EU er der særlige indsamlingsordninger for brugte elektriske og elektroniske produkter, batterier og akkumulatører.

Bortskaf udstyret, batterier og akkumulatører korrekt på en lokal affalds-/genbrugsplads.

Hjælp os med at bevare det miljø, vi lever i!

Norsk

For norske brukere:

Dette produktet fra MITSUBISHI ELECTRIC er konstruert og produsert med materialer og komponenter av høy kvalitet, som kan resirkuleres og/eller brukes om igjen.

Dette symbolet betyr at elektrisk og elektronisk utstyr, batterier og akkumulatører, ikke bør kasseres sammen med husholdningsavfallet når de har nådd slutten av sin levetid.

Hvis det er trykt et kjemisk symbol under det symbolet som er vist over, betyr det kjemiske symbolet at batteriet eller akkumulatøren inneholder et tungmetall i en viss konsentrasjon. Dette vil vises som følger:

Hg: kvikksølv (0,0005 %), Cd: kadmium (0,002 %),
Pb: bly (0,004 %)

I Norge finnes det egne innsamlingsystemer for brukte elektriske og elektroniske produkter, batterier og akkumulatører.

Kasser dette utstyret, batteriene og akkumulatorene ved den lokale gjenbruks- eller resirkuleringsstasjonen.

Hjelp oss å bevare det miljøet vi lever i!

Suomi

Tämä MITSUBISHI ELECTRIC -tuote on suunniteltu ja valmistettu korkealuokkaisista materiaaleista ja/tai osista, jotka voidaan kierrättää ja käyttää uudelleen.

Tämä symboli tarkoittaa, että sähkö- ja elektroniikkalaitteet, paristot ja akut täytyy niiden käyttöään jälkeen hävittää erillään talousjätteistä.

Jos yllä olevan symbolin alapuolelle on painettu kemiallinen symboli, se tarkoittaa, että paristolla tai akulla on tietty raskasmetallipitoisuus. Se ilmoitetaan seuraavasti:

Hg: elohopea (0,0005 %), Cd: kadmium (0,002 %),
Pb: lyijy (0,004 %)

Käytetyillä sähkö- ja elektroniikkalaitteilla, paristoilla ja akuilla on Euroopan Yhteisössä omat keräysjärjestelmänsä.

Toimita tämä laite, paristot ja akut paikalliseen jätehuolto-/kierrätyskeskukseen.

Autta meitä suojelemaan ympäristöä, jossa elämme!

Nederlands

Mitsubishi Electric producten zijn ontwikkeld en gefabriceerd uit eerste kwaliteit materialen. De onderdelen kunnen worden gerecycled en/of worden hergebruikt.

Het symbool betekent dat de elektrische en elektronische onderdelen, batterijen en accu's op het einde van de gebruiksduur gescheiden van het huishoudelijk afval moeten worden ingezameld. Wanneer er onder het bovenstaande symbool een chemisch symbool staat gedrukt, betekent dit dat de batterij of accu zware metalen in een bepaalde concentratie bevat. Dit wordt als volgt aangeduid:

Hg: kwik (0,0005%), Cd: cadmium (0,002%),
Pb: lood (0,004%)

In de Europese Unie worden elektrische en elektronische producten, batterijen en accu's afzonderlijk ingezameld.

Breng deze apparatuur, batterijen en accu's dan naar het gemeentelijke afvalinzamelingspunt.

Help ons mee het milieu te beschermen!

Ελληνικά

Το προϊόν MITSUBISHI ELECTRIC που διαθέτετε είναι σχεδιασμένο και κατασκευασμένο από υλικά και εξαρτήματα υψηλής ποιότητας, τα οποία μπορούν να ανακυκλωθούν ή/και να χρησιμοποιηθούν ξανά.

Το σύμβολο αυτό σημαίνει ότι ο ηλεκτρικός και ηλεκτρονικός εξοπλισμός, οι μπαταρίες και οι συσσωρευτές, στο τέλος της διάρκειας ζωής τους, θα πρέπει να απορριφτούν ξεχωριστά από τα υπόλοιπα οικιακά απορρίμματα σας.

Αν έχει εκτυπωθεί ένα χημικό σύμβολο κάτω από το σύμβολο που απεικονίζεται ανωτέρω, αυτό το χημικό σύμβολο σημαίνει ότι η μπαταρία ή ο συσσωρευτής περιέχει ένα βαρύ μέταλλο σε ορισμένη συγκέντρωση. Αυτό θα υποδεικνύεται ως ακολούθως:

Hg: υδράργυρος (0,0005%), Cd: κάδμιο (0,002%),
Pb: μόλυβδος (0,004%)

Στην Ευρωπαϊκή Ένωση υπάρχουν ξεχωριστά συστήματα συλλογής για τα χρησιμοποιημένα ηλεκτρικά και ηλεκτρονικά προϊόντα, τις μπαταρίες και τους συσσωρευτές.

Παρακαλούμε διαθέστε αυτόν τον εξοπλισμό, τις μπαταρίες και τους συσσωρευτές στο τοπικό σας κοινοτικό κέντρο συλλογής/ανακύκλωσης απορριμμάτων.

Βοηθήστε μας να προστατεύσουμε το περιβάλλον στο οποίο ζούμε!

Technical Document of Fan Efficiency

Model Name	JT-MC206GS
Overall Efficiency	52.1%
Measurement Category	C
Efficiency Category	Static
Efficiency Grade	61
VSD	A variable speed drive is integrated within the fan
Year of Manufacture	2012
Manufacturer	Mitsubishi Electric Corporation registration number: HEAD OFFICE: TOKYO BLDG., 2-7-3, MARUNOUCHI, CHIYODA-KU, TOKYO 100-8310, JAPAN AUTHORIZED REPRESENTATIVE IN EU: MITSUBISHI ELECTRIC EUROPE B.V.HARMAN HOUSE, 1GEORGE STREET, UXBRIDGE, MIDDLES
Motor Power Input (kW)	0.4
Flow Rate (m ³ /s)	0.02
Pressure (Pa)	9910
Rotations per Minute	23800
Specific Ratio	1.0
Information relevant for facilitating disassembly, recycling or disposal at end-of-life	Your product should be disposed of separately from household waste in line with local laws and regulations. When this product reaches its end of life, dispose of it at your local waste collection point/recycling centre. The separate collection and recycling of your product at the time of disposal will help conserve natural resources and ensure that it is recycled in a manner that protects human health and the environment. For more information for WEEE recyclers please contact us at http://www.mitsubishielectric.eu/contact_us_form
Information relevant to minimise impact on the environment and ensure optimal life expectancy as regards installation, use and <u>maintenance of the fan</u>	Remove dust on air filter around once a week. Empty the drain water at least once a week before the drain water exceeds the full line.
Description of additional items used when determining the fan energy efficiency	The optimistic fan efficiency is measured in the composition of fan, motor and fan casing only.